

7/16 M/F Coaxial RF Surge Protector, 100MHz - 512MHz, DC Block, 750W, IP67, .5uJ, 20kA, Filter, Bracket Down, Hole Mount



VHF50HD-MA

Features

- Surge current of 20kA
- Max Power 750W
- Frequency range from 100 to 512 MHz VHF Band
- DIN Male to DIN Female connectors
- VSWR 1.1:1
- Waterproof IP67 rated
- DC Block
- Multi-strike capability
- CE & RoHS compliant

Applications

- Emergency response systems
- Public safety systems

Description

RF filter (also known as lightning arrester or surge arrester) VHF50HD-MA from PolyPhaser, integrating a patented inductor designed for lightning surges and a RF blocking capacitor. This RF surge protector component is manufactured in a coaxial in-line design with wide operating frequency range. All PolyPhaser RF surge protector products are available in stock with same day shipping

Electrical Specifications

Surge Protector Type
DC Handling

Surge Filter
DC Block

Description	Minimum	Typical	Maximum	Units
Frequency Range	100		512	MHz
Impedance		50		Ohms
VSWR			1.1:1	
Insertion Loss			0.1	dB
Input Power, CW			750	Watts
Surge Current IEC 61000-4-5 8/20µs waveform			20	kA
Throughput Energy for 3kA @ 8/20µs waveform			500	nJ

Mechanical Specifications

Size

Length 3.65 in [92.71 mm]
Width/Diameter 3.01 in [76.45 mm]

Click the following link (or enter part number in "SEARCH" on website) to obtain additional part information including price, inventory and certifications:
[7/16 M/F Coaxial RF Surge Protector, 100MHz - 512MHz, DC Block, 750W, IP67, .5uJ, 20kA, Filter, Bracket Down, Hole Mount VHF50HD-MA](#)

7/16 M/F Coaxial RF Surge Protector, 100MHz - 512MHz, DC Block, 750W, IP67, .5uJ, 20kA, Filter, Bracket Down, Hole Mount



VHF50HD-MA

Height	1.66 in [42.16 mm]
Weight	1.1 lbs [498.95 g]
Configuration	
Input Connector	7/16 DIN Male
Output Connector	7/16 DIN Female

Environmental Specifications

Temperature

Operating Range	-50 to 85 deg C
Storage Range	-50 to +85 deg C

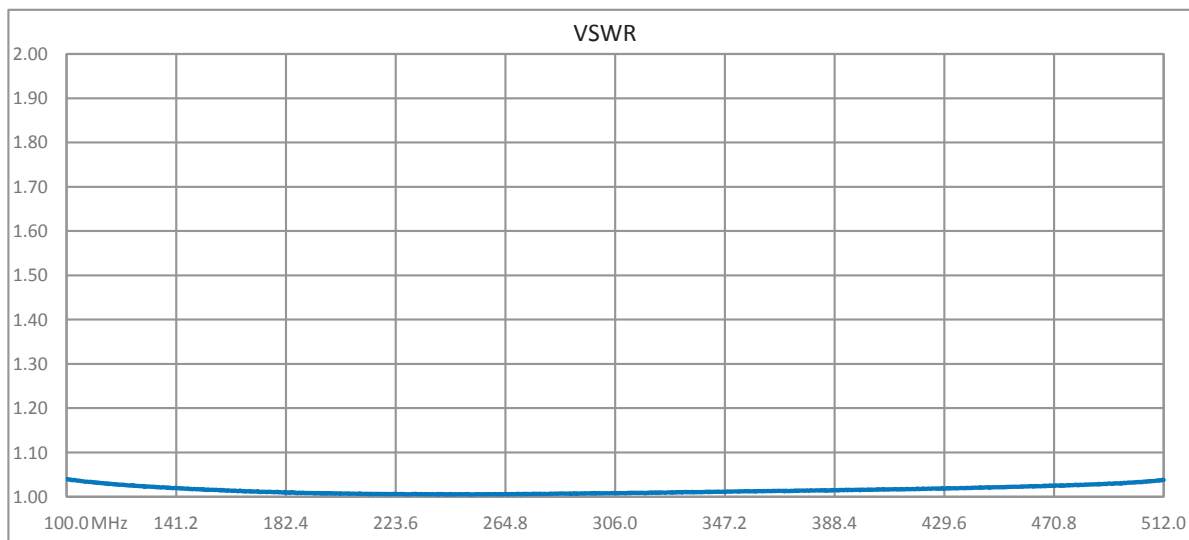
Ingress Protection (IP) Rating	IP67
Humidity	95%

Compliance Certifications (see [product page](#) for current document)

Plotted and Other Data

Notes:

Typical Performance Data



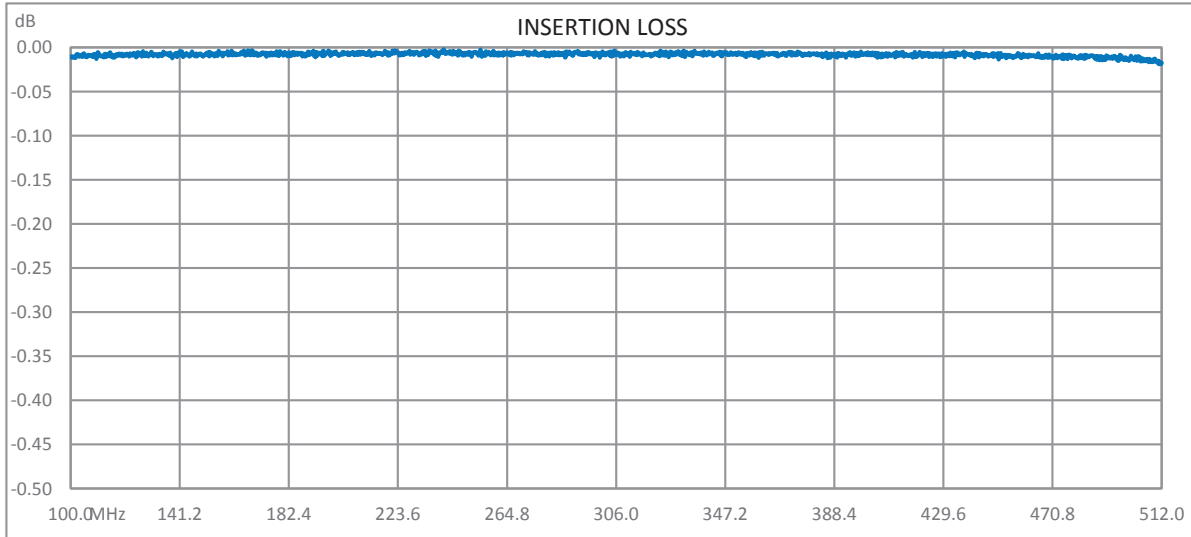
Click the following link (or enter part number in "SEARCH" on website) to obtain additional part information including price, inventory and certifications:
[7/16 M/F Coaxial RF Surge Protector, 100MHz - 512MHz, DC Block, 750W, IP67, .5uJ, 20kA, Filter, Bracket Down, Hole Mount VHF50HD-MA](#)



7/16 M/F Coaxial RF Surge Protector, 100MHz - 512MHz, DC Block, 750W, IP67, .5uJ, 20kA, Filter, Bracket Down, Hole Mount



VHF50HD-MA



PolyPhaser protects and increases the reliability of global RF communications networks, including transportation, telecommunications, defense, security and industrial applications, with superior RF surge protection technologies including DC Block, DC Pass and Ultra Low PIM. Backed by responsive service and expert technical support PolyPhaser continually expands its product offering and services to serve engineers' urgent needs for RF components in mission critical communication networks.

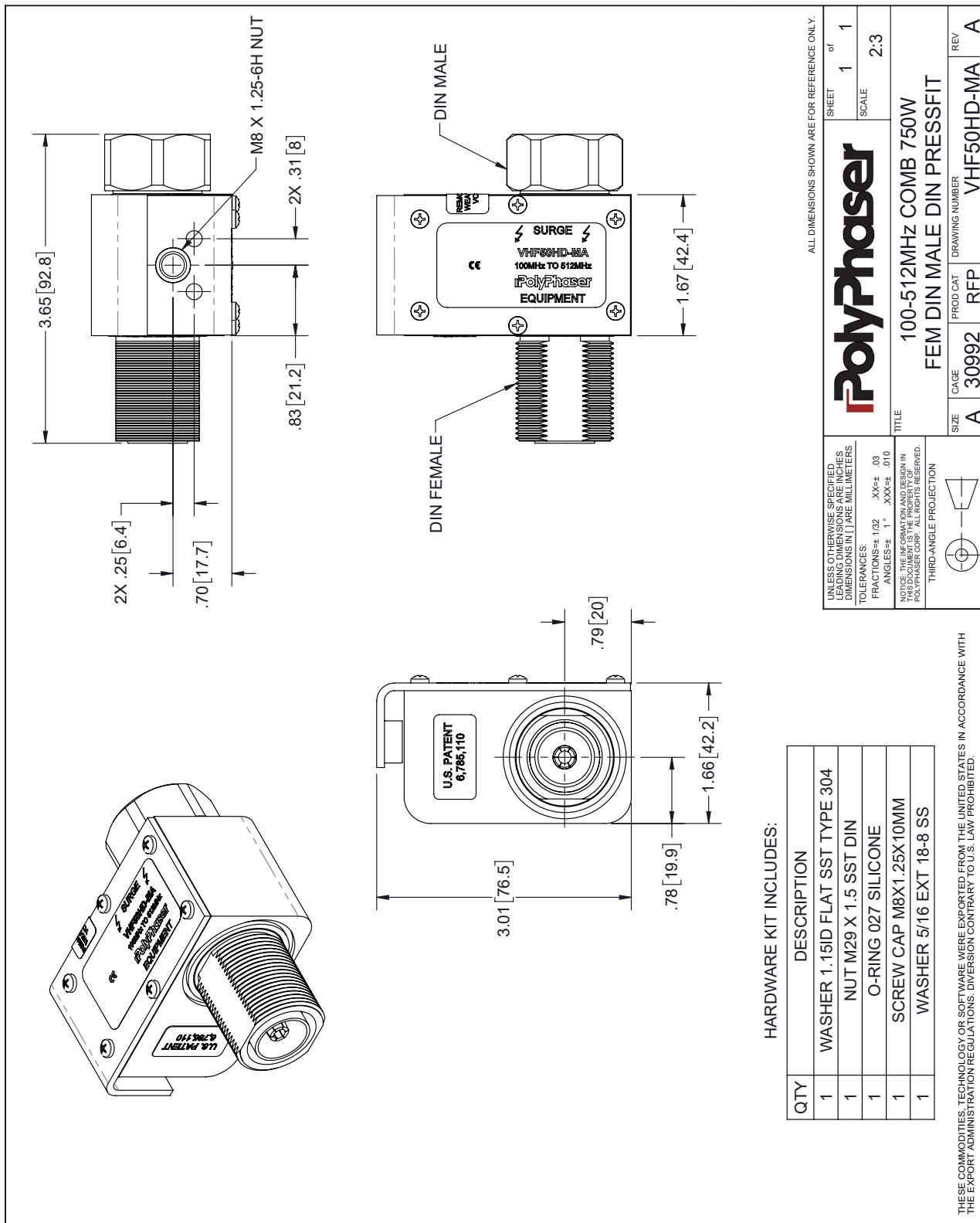
Click the following link (or enter part number in "SEARCH" on website) to obtain additional part information including price, inventory and certifications: [7/16 M/F Coaxial RF Surge Protector, 100MHz - 512MHz, DC Block, 750W, IP67, .5uJ, 20kA, Filter, Bracket Down, Hole Mount VHF50HD-MA](#)

URL: <https://www.polyphaser.com/7-16-din-surge-protector-512mhz-filter-vhf50hd-ma>

The information contained in this document is accurate to the best of our knowledge and representative of the part described herein. It may be necessary to make modifications to the part and/or the documentation of the part, in order to implement improvements. PolyPhaser reserves the right to make such changes as required. Unless otherwise stated, all specifications are nominal. PolyPhaser does not make any representation or warranty regarding the suitability of the part described herein for any particular purpose, and PolyPhaser does not assume any liability arising out of the use of any part or documentation.

7/16 M/F Coaxial RF Surge Protector, 100MHz - 512MHz, DC Block, 750W, IP67, .5uJ, 20kA, Filter, Bracket Down, Hole Mount

VHF50HD-MA CAD Drawing



ALL DIMENSIONS SHOWN ARE FOR REFERENCE ONLY.

PolyPhaser		SHEET	1	of	1
		SCALE	2:3		
TITLE		SIZE	CAGE	PROD CAT	DRAWING NUMBER
100-512MHZ COMB 750W FEM DIN MALE DIN PRESSFIT		A	30992	RFP	VHF50HD-MA
UNLESS OTHERWISE SPECIFIED LEADING DIMENSIONS ARE INCHES DIMENSIONS IN [] ARE MILLIMETERS					
TOLERANCES:					
FRACTIONS=1/32 .XXF±.03					
ANGLES=1° .XXX±.010					
THIRD-ANGLE PROJECTION					
NOTICE: THE INFORMATION AND DESIGN IN THIS DRAWING IS THE PROPERTY OF POLYPHASER CORP. ALL RIGHTS RESERVED.					

HARDWARE KIT INCLUDES:

QTY	DESCRIPTION
1	WASHER 1.151D FLAT SST TYPE 304
1	NUT M29 X 1.5 SST DIN
1	O-RING 027 SILICONE
1	SCREW CAP M8X1.25X10MM
1	WASHER 5/16 EXT 18-8 SS

THESE COMMODITIES, TECHNOLOGY OR SOFTWARE WERE EXPORTED FROM THE UNITED STATES IN ACCORDANCE WITH THE EXPORT ADMINISTRATION REGULATIONS. DIVERSION CONTRARY TO U.S. LAW PROHIBITED.