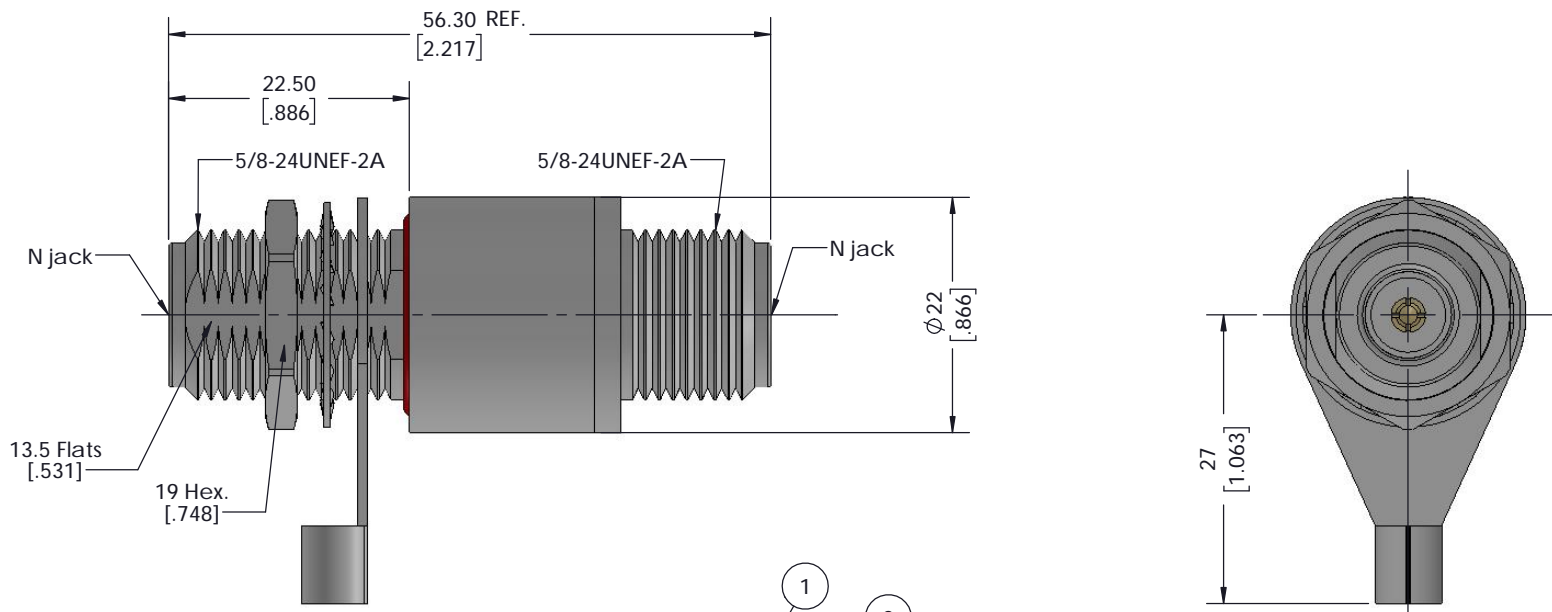


NOTICE OF PROPRIETARY RIGHTS: THIS DOCUMENT CONTAINS CONFIDENTIAL DATA, INCLUDING TRADE SECRETS, PROPRIETARY TO TIMES MICROWAVE SYSTEMS. DISCLOSURE OF THIS DATA IS EXPRESSLY CONDITIONED UPON YOUR ASSENT THAT ITS USE IS LIMITED TO USE WITHIN YOUR COMPANY ONLY. ANY OTHER USE IS STRICTLY PROHIBITED WITHOUT THE PRIOR WRITTEN CONSENT OF TIMES MICROWAVE SYSTEMS.

VER	Description	ECN	Name	Date
A	Released for production			
B	Change material of body		Patrick	2018/11/30



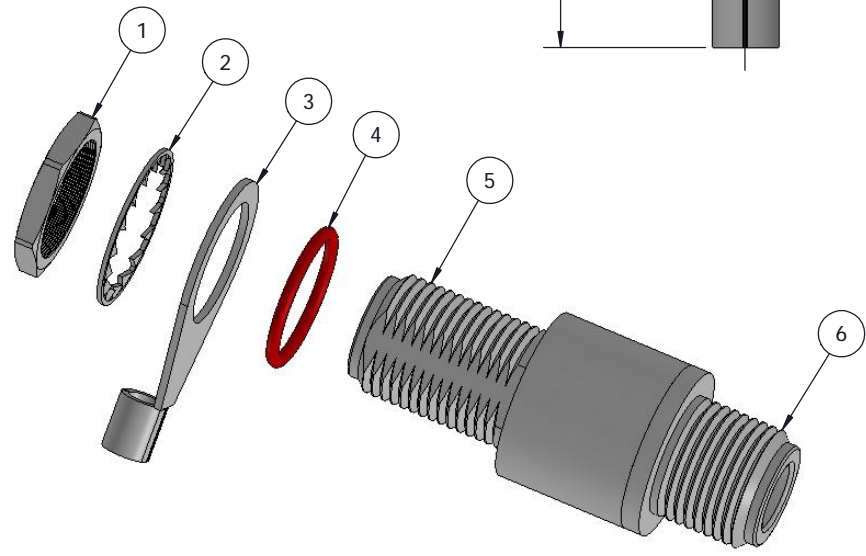
Reference standard IEC61169-16;

I. Electrical Performance  
 Impedance (Ω): 50  
 Frequency range: DC~6 GHz  
 VSWR: ≤1.25  
 Insert loss (dB): ≤0.35  
 Turn on: 180 V DC  
 Impulse sparkover: 700 V (1 KV/us)  
 Average power: 150 W  
 Max surge current: 10 kA Multiple (Wave form 8/20 us)

II. Mechanical Performance  
 Retention: ≥0.56 N  
 Mating Cycles: 500  
 Nut Torque: 5 Nm

III. Material and plating:  
 Inner conductor Spring copper Ag5um  
 Outer conductor Brass Copper-tin-zinc 2um  
 Washer Brass Copper-tin-zinc 2um  
 Nut Brass Copper-tin-zinc 2um  
 Insulator PTFE  
 O-ring Silicone rubber

IV. Environment  
 Temperature Range -40°C~+85°C  
 Weather standard IEC 60068 40/085/21  
 Thermal shock IEC 60068-2-14-Na  
 Vibration IEC 60068-2-6-Fc  
 Shock IEC60068-2-27  
 Waterproof standard IP67  
 ROHS compliant



Item	Description
1	Nut
2	Washer
3	Lug
4	O ring
5	N jack
6	N jack

UNLESS OTHERWISE SPECIFIED				DFTM Patrick								
ALL DIMENSIONS ARE IN mm MACHINED SURFACES FINISH 1.6 RMS MAX. REMOVE ALL BURRS 0.15X45° MAX. BREAK MACHINE CORNERS 0.15X45° D MAX. FILLET R. TOLERANCES ON DECIMALS .X ±0.1 .XX ±0.05 ANGLES ±2° FRACTIONS ±N/A				DATE	2018/11/30							
				CHKD	Monica							
				DATE	2018/11/30							
				APPD	Joslen							
Scale:	2:1	Size:	A3	CODE IDENT	68999	DATE	2018/11/30	SHT	1/1	LP-GTV-NFF	REV	B

