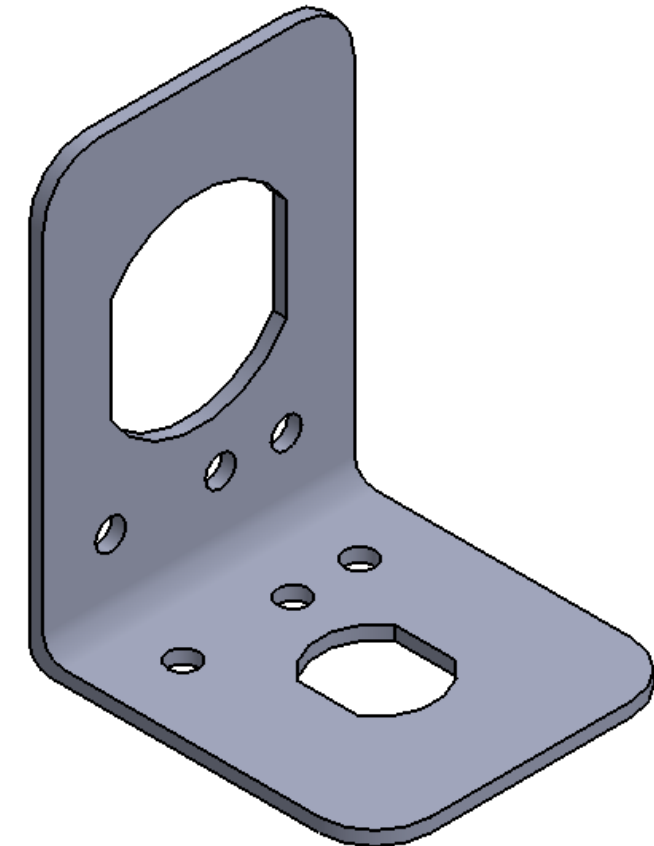
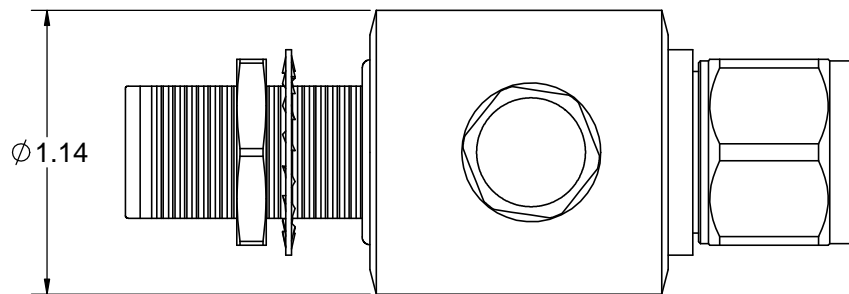
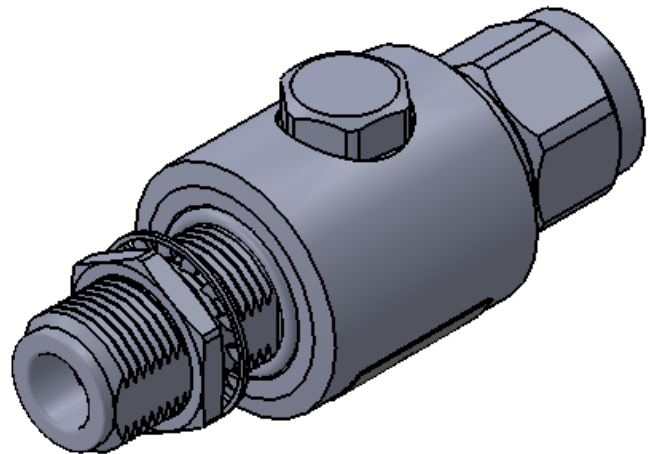


NOTICE OF PROPRIETARY RIGHTS  
 THIS DOCUMENT CONTAINS CONFIDENTIAL TECHNICAL DATA, INCLUDING TRADE SECRETS, PROPRIETARY TO TIMES MICROWAVE SYSTEMS. DISCLOSURE OF THIS DATA IS EXPRESSLY CONDITIONED UPON YOUR ASSENT THAT ITS USE IS LIMITED TO USE WITHIN YOUR COMPANY ONLY. ANY OTHER USE IS STRICTLY PROHIBITED WITHOUT THE PRIOR WRITTEN CONSENT OF TIMES MICROWAVE SYSTEMS.

REV.	REVISION DESCRIPTION	DFTM	DATE	APPD	DATE
A	RELEASED FOR PRODUCTION	M.E.	03/24/14	M.E.	03.24/14



NOTES:

1. ELECTRICAL PERFORMANCE

IMPEDANCE: 50 OHMS  
 OPERATING FREQUENCY: DC-3000 MHz  
 VSWR/RETURN LOSS: < 1.1:1 / < -26 dB (DC-2800 MHz)  
 < 1.13:1 / < -24 dB (2800-3000 MHz)  
 INSERTION LOSS: < 0.1 dB (DC-1000 MHz)  
 < 0.2 dB (1000-3000 MHz)  
 AVERAGE POWER: 210 W  
 MAX SURGE CURRENT: 20 kA MULTIPLE (8/20 us WAVE-FORM)  
 IMPULSE SPARKOVER: 700 V (1 kV/us)  
 TURN ON: 230 Vdc  
 PROTECTION CIRCUIT: DC PASS, BIDIRECTIONAL

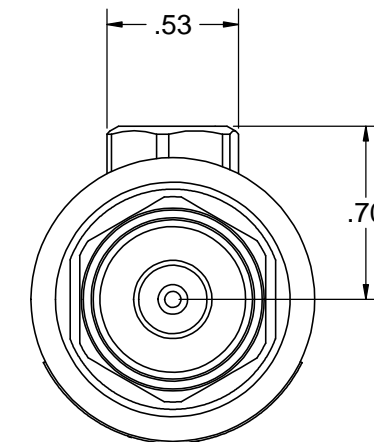
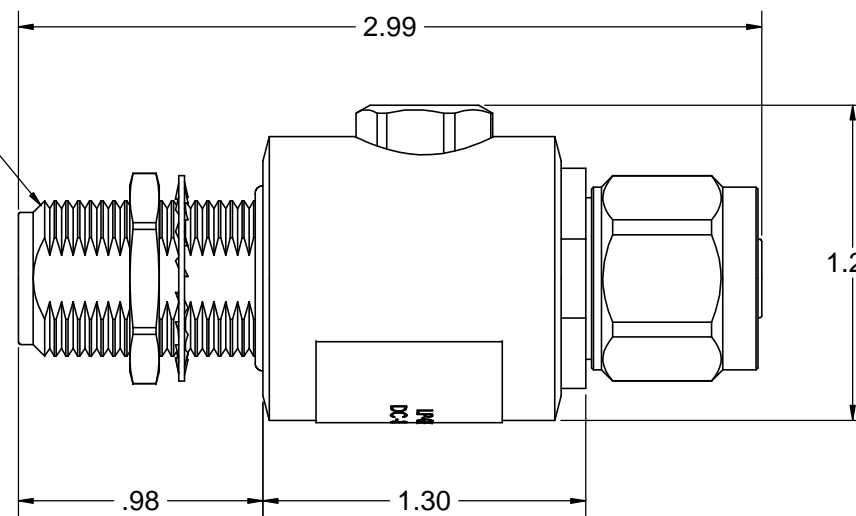
2. ENVIRONMENTAL CHARACTERISTICS

STORAGE/OPERATING TEMPERATURE: -40C TO +85C  
 WEATHERIZATION: IP67  
 VIBRATION: MIL-STD 202, METHOD 204, CONDITION B  
 RoHS COMPLIANT

3. MATERIAL AND FINISH

INNER CONNECTOR FEMALE: PHOSPHOR BRONZE, SILVER PLATE  
 INNER CONNECTOR MALE: BRASS, SILVER PLATE  
 BODY: BRASS, WHITE BRONZE PLATE  
 INSULATOR: TPX  
 COUPLING NUT: BRASS, WHITE BRONZE PLATE  
 O-RING: SILICONE RUBBER

5/8-24 UNEF-2A



MATERIAL:

USED ON ASSY.

DRAFTSMAN	M. ELLIS	03/24/14
CHECKER	M. ELLIS	03/24/14
APPROVED	M. ELLIS	03/24/14

UNLESS OTHERWISE SPECIFIED  
 ALL DIMENSIONS ARE IN INCHES  
 MACHINED SURFACES FINISH 32 RMS MAX.  
 REMOVE ALL BURRS .005 MAX. BREAK  
 MACHINE CORNERS .005 MAX. FILLET R.  
 TOLERANCES ON DECIMALS  
 .XX ± .01 .XXX ± .005  
 ANGLES ± 1° FRACTIONS ± 1/32

TIMES MICROWAVE SYSTEMS	
TITLE: SURGE PROTECTOR N FEMALE TO N MALE DC-3000 MHz	
DWG. NO. C 68999	DRWG. NO. LP-GTR-NFM-23 REV. A
SCALE: 2:1	SHEET 1 OF 1

DO NOT SCALE DRAWING