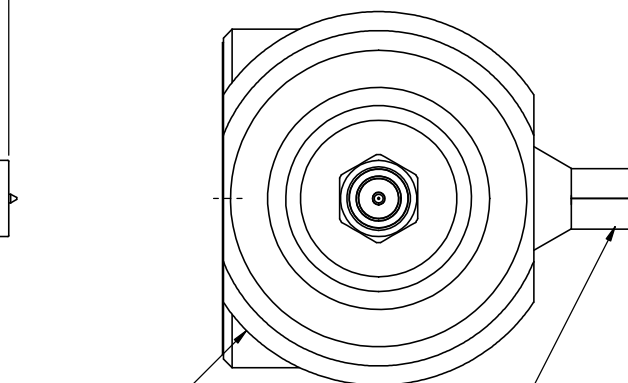
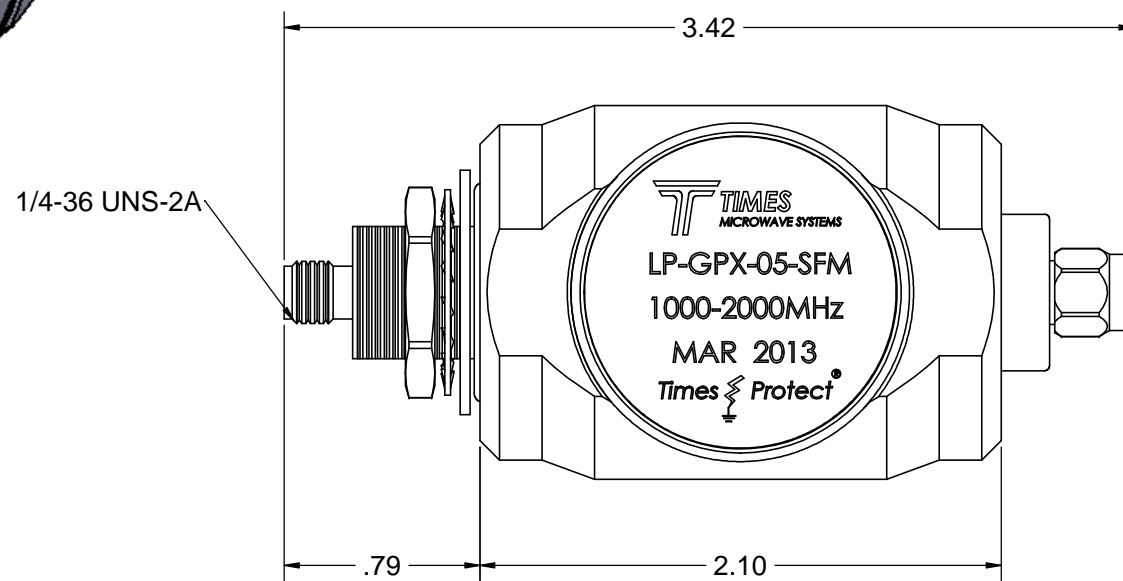
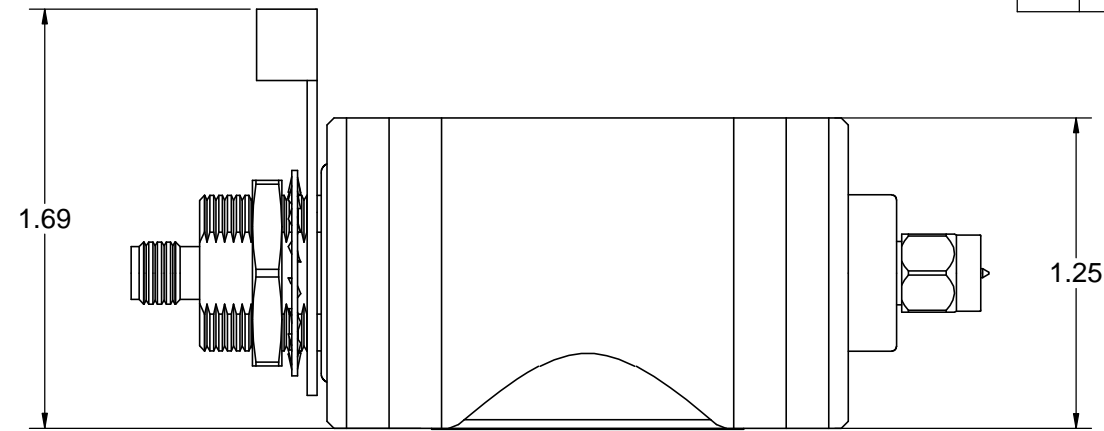
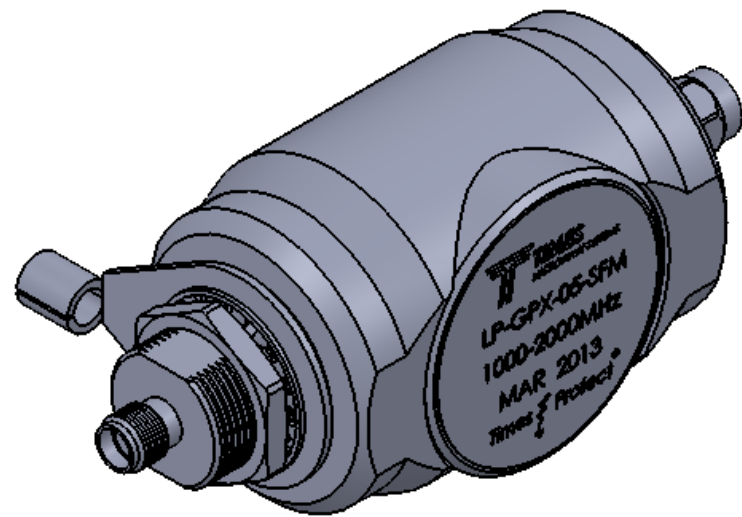


NOTICE OF PROPRIETARY RIGHTS
 THIS DOCUMENT CONTAINS CONFIDENTIAL TECHNICAL DATA, INCLUDING TRADE SECRETS, PROPRIETARY TO TIMES MICROWAVE SYSTEMS. DISCLOSURE OF THIS DATA IS EXPRESSLY CONDITIONED UPON YOUR ASSENT THAT ITS USE IS LIMITED TO USE WITHIN YOUR COMPANY ONLY. ANY OTHER USE IS STRICTLY PROHIBITED WITHOUT THE PRIOR WRITTEN CONSENT OF TIMES MICROWAVE SYSTEMS.

REV.	REVISION DESCRIPTION	DFTM	DATE	APPD	DATE
A	RELEASED FOR PRODUCTION	M.E.	03/24/14	M.E.	03/24/14



ACCEPTS 8 - 12 AWG

NOTES:

1. ELECTRICAL PERFORMANCE

IMPEDANCE: 50 OHMS
 OPERATING FREQUENCY: 1000-2000 MHz
 VSWR/RETURN LOSS: < 1.2:1 / < -20 dB
 INSERTION LOSS: < 0.1 dB
 AVERAGE POWER: 50 W
 MAX SURGE CURRENT: 10 kA MULTIPLE (1.2X50/8X20 us WAVE-FORM)
 TURN ON VOLTAGE: 6 Vdc
 RESIDUAL PULSE VOLTAGE: < 12 V (6kV/3kA 1.2X50/8X20 us WAVE-FORM)
 ENERGY THROUGHPUT RATING: < 110 uJ
 PROTECTION CIRCUIT: DC BLOCKED RF PATH/SOLID STATE DC PASS

2. ENVIRONMENTAL CHARACTERISTICS

STORAGE/OPERATING TEMPERATURE: -40C TO +85C
 WEATHERIZATION: IP65
 VIBRATION: MIL-STD 202, METHOD 204, CONDITION B
 RoHS COMPLIANT

3. MATERIAL AND FINISH

INNER CONNECTOR FEMALE: PHOSPHOR BRONZE, SILVER PLATE
 INNER CONNECTOR MALE: BRASS, SILVER PLATE
 BODY: ALUMINUM, WHITE BRONZE PLATE
 CONNECTOR HOUSING: BRASS, WHITE BRONZE PLATE
 COUPLING NUT: BRASS, WHITE BRONZE PLATE
 INSULATOR: PTFE
 O-RING: SILICONE RUBBER

MATERIAL:

 USED ON ASSY.

DRAFTSMAN	M. ELLIS	03/24/14
CHECKER	M. ELLIS	03/24/14
APPROVED	M. ELLIS	03/24/14

UNLESS OTHERWISE SPECIFIED
 ALL DIMENSIONS ARE IN INCHES
 MACHINED SURFACES FINISH 32 RMS MAX.
 REMOVE ALL BURRS .005 MAX. BREAK
 MACHINE CORNERS .005 MAX. FILLET R.
 TOLERANCES ON DECIMALS
 .XX ± .01 .XXX ± .005
 ANGLES ± 1' FRACTIONS ± 1/32

DO NOT SCALE DRAWING

TIMES MICROWAVE SYSTEMS

TITLE:
 SURGE PROTECTOR
 SMA FEMALE TO SMA MALE
 1000-2000 MHz

DWG. NO.	LP-GPX-05-SFM	REV.	A
CODE IDENT.	68999	SCALE:	2:1
		SHEET 1 OF 1	