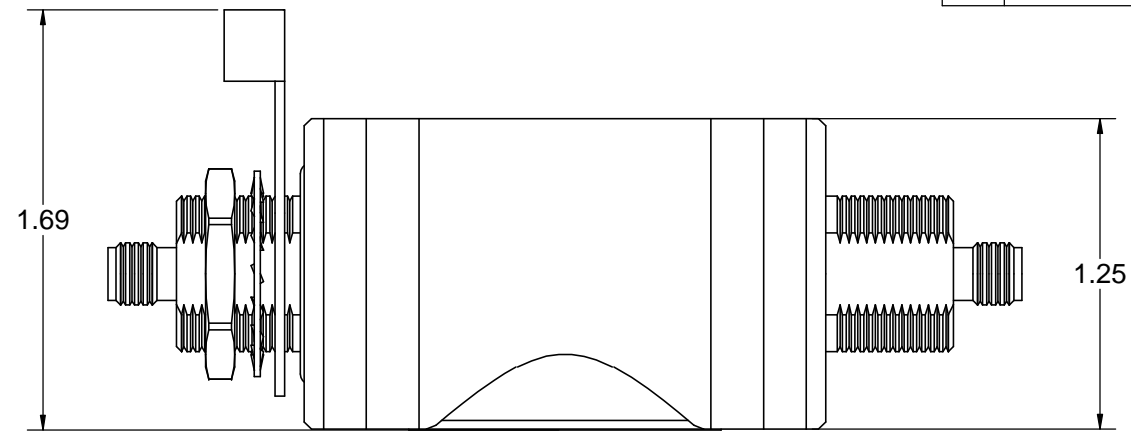
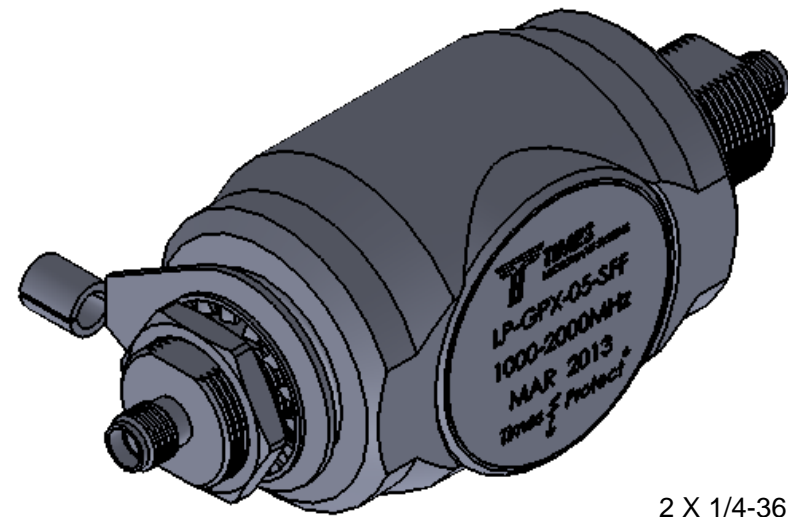
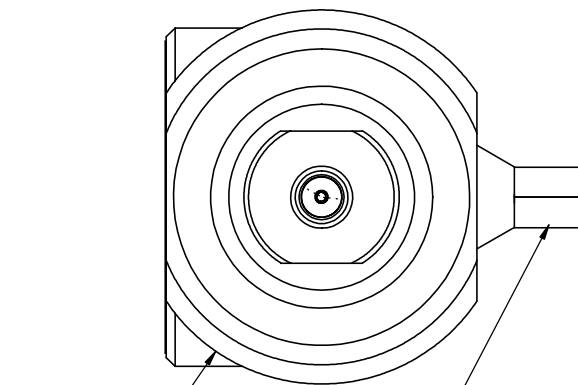
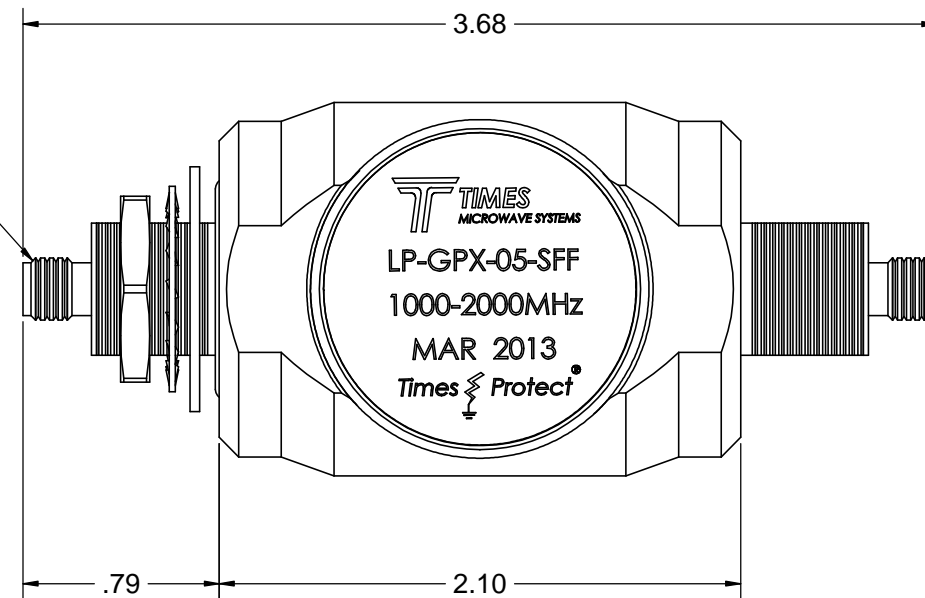


NOTICE OF PROPRIETARY RIGHTS  
 THIS DOCUMENT CONTAINS CONFIDENTIAL TECHNICAL DATA, INCLUDING TRADE SECRETS, PROPRIETARY TO TIMES MICROWAVE SYSTEMS. DISCLOSURE OF THIS DATA IS EXPRESSLY CONDITIONED UPON YOUR ASSENT THAT ITS USE IS LIMITED TO USE WITHIN YOUR COMPANY ONLY. ANY OTHER USE IS STRICTLY PROHIBITED WITHOUT THE PRIOR WRITTEN CONSENT OF TIMES MICROWAVE SYSTEMS.

REV.	REVISION DESCRIPTION	DFTM	DATE	APPD	DATE
A	RELEASED FOR PRODUCTION	M.E.	03/24/14	M.E.	03/24/14



2 X 1/4-36 UNS-2A



R.75

ACCEPTS 8 - 12 AWG

NOTES:

1. ELECTRICAL PERFORMANCE

IMPEDANCE: 50 OHMS  
 OPERATING FREQUENCY: 1000-2000 MHz  
 VSWR/RETURN LOSS: < 1.2:1 / < -20 dB  
 INSERTION LOSS: < 0.1 dB  
 AVERAGE POWER: 50 W  
 MAX SURGE CURRENT: 10 kA MULTIPLE (1.2X50/8X20 us WAVE-FORM)  
 TURN ON VOLTAGE: 6 Vdc  
 RESIDUAL PULSE VOLATGE: < 12 V (6kV/3kA 1.2X50/8X20us WAVE-FORM)  
 ENERGY THROUGHPUT RATING: < 110 uJ  
 PROTECTION CIRCUIT: DC BLOCKED RF PATH/SOLID STATE DC PASS

2. ENVIRONMENTAL CHARACTERISTICS

STORAGE/OPERATING TEMPERATURE: -40C TO +85C  
 WEATHERIZATION: IP65  
 VIBRATION: MIL-STD 202, METHOD 204, CONDITION B  
 RoHS COMPLIANT

3. MATERIAL AND FINISH

INNER CONNECTOR FEMALE: PHOSPHOR BRONZE, SILVER PLATE  
 BODY: ALUMINUM, WHITE BRONZE PLATE  
 CONNECTOR HOUSING: BRASS, WHITE BRONZE PLATE  
 COUPLING NUT: BRASS, WHITE BRONZE PLATE  
 INSULATOR: PTFE  
 O-RING: SILICONE RUBBER

MATERIAL:  
 \_\_\_\_\_  
 \_\_\_\_\_  
 USED ON ASSY.

DRAFTSMAN	M. ELLIS	03/24/14
CHECKER	M. ELLIS	03/24/14
APPROVED	M. ELLIS	03/24/14

UNLESS OTHERWISE SPECIFIED  
 ALL DIMENSIONS ARE IN INCHES  
 MACHINED SURFACES FINISH 32 RMS MAX.  
 REMOVE ALL BURRS .005 MAX. BREAK  
 MACHINE CORNERS .005 MAX. FILLET R.  
 TOLERANCES ON DECIMALS  
 .XX ± .01 .XXX ± .005  
 ANGLES ± 1° FRACTIONS ± 1/32  
**DO NOT SCALE DRAWING**

<b>TIMES MICROWAVE SYSTEMS</b>		
TITLE: <b>SURGE PROTECTOR SMA FEMALE TO SMA FEMALE 1000-2000 MHz</b>		
DWG. SIZE C	DRWG. NO. LP-GPX-05-SFF	REV. A
CODE IDENT. 68999	SCALE: 2:1	SHEET 1 OF 1