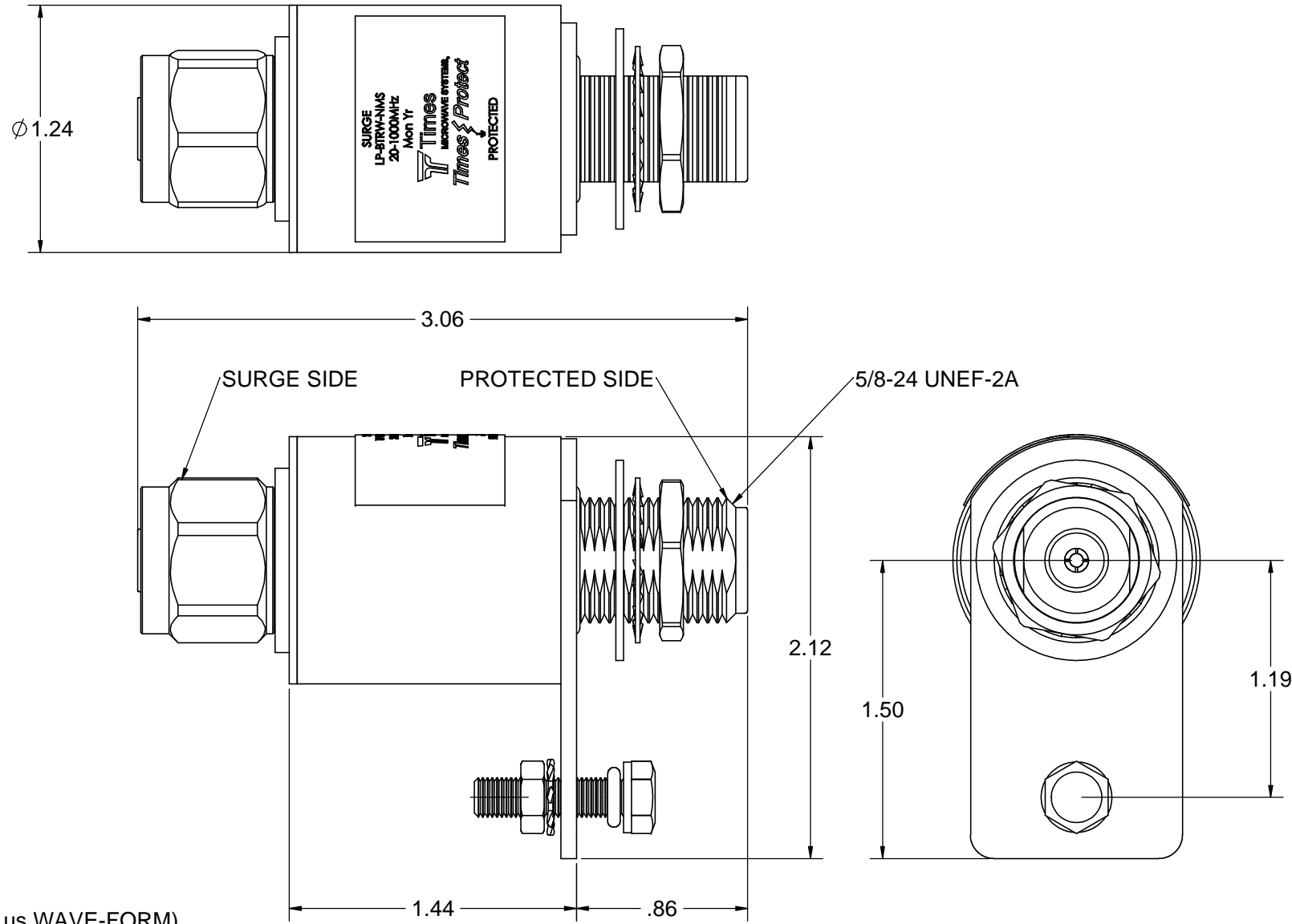
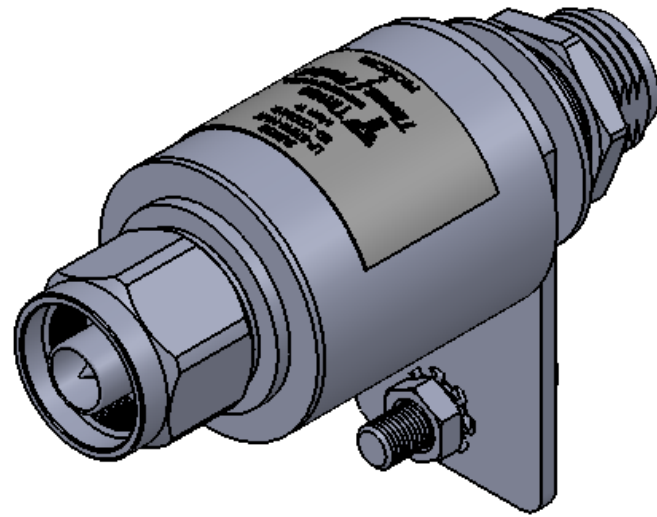


**NOTICE OF PROPRIETARY RIGHTS**

THIS DOCUMENT CONTAINS CONFIDENTIAL TECHNICAL DATA, INCLUDING TRADE SECRETS, PROPRIETARY TO TIMES MICROWAVE SYSTEMS. DISCLOSURE OF THIS DATA IS EXPRESSLY CONDITIONED UPON YOUR ASSENT THAT ITS USE IS LIMITED TO USE WITHIN YOUR COMPANY ONLY. ANY OTHER USE IS STRICTLY PROHIBITED WITHOUT THE PRIOR WRITTEN CONSENT OF TIMES MICROWAVE SYSTEMS.

REV.	REVISION DESCRIPTION	DFTM	DATE	APPD	DATE
A	RELEASED FOR PRODUCTION	M.E.	03/24/14	M.E.	03/24/14



**NOTES:**

**1. ELECTRICAL PERFORMANCE**

IMPEDANCE: 50 OHMS  
 OPERATING FREQUENCY: 20-1000 MHz  
 VSWR/RETURN LOSS: < 1.1:1 / < -26 dB  
 INSERTION LOSS: < 0.1 dB  
 TURN ON VOLTAGE: 600 Vdc +/- 20%  
 TURN ON TIME: 2.5 ns for 2 kV/ns  
 MAX SURGE CURRENT: 10 kA MULTIPLE (8/20 us WAVE-FORM)  
 ENERGY THROUGHPUT RATING: < 200 uJ (6kV/3kA 1.2X50/8X20 us WAVE-FORM)  
 POWER HANDLING AT FREQUENCY: 375 W (20-220 MHz)  
 125 W (220-700 MHz)  
 50 W (700-1000 MHz)

PROTECTION CIRCUIT: DC BLOCKED

**2. ENVIRONMENTAL CHARACTERISTICS**

TEMPERATURE RANGE STORAGE/OPERATING: -40C TO +85C/-40C TO +50C  
 WEATHERIZATION: IP67  
 VIBRATION: MIL-STD 202, METHOD 204, CONDITION B  
 WEIGHT: 0.55 lb / 0.25 kg  
 RoHS COMPLIANT

**3. MATERIAL AND FINISH**

INNER CONNECTOR FEMALE: PHOSPHOR BRONZE, SILVER PLATE  
 INNER CONNECTOR MALE: BRASS, SILVER PLATE  
 BODY: BRASS, WHITE BRONZE PLATE  
 OUTER CONDUCTOR: BRASS, WHITE BRONZE PLATE  
 COUPLING NUT: BRASS, WHITE BRONZE PLATE  
 INSULATOR: PTFE

MATERIAL:

USED ON ASSY.

DRAFTSMAN	M. ELLIS	03/24/14
CHECKER	M. ELLIS	03/24/14
APPROVED	M. ELLIS	03/24/14

UNLESS OTHERWISE SPECIFIED  
 ALL DIMENSIONS ARE IN INCHES  
 MACHINED SURFACES FINISH 32 RMS MAX.  
 REMOVE ALL BURRS .005 MAX. BREAK  
 MACHINE CORNERS .005 MAX. FILLET R.  
 TOLERANCES ON DECIMALS  
 .XX ± .01 .XXX ± .005  
 ANGLES ± 1' FRACTIONS ± 1/32  
**DO NOT SCALE DRAWING**

**TIMES MICROWAVE SYSTEMS**

TITLE: **SURGE PROTECTOR  
 N MALE TO N FEMALE  
 20-1000 MHz**

DWG. SIZE	DRWG. NO.	REV.
<b>C</b>	LP-BTRW-NMS	A
CODE IDENT.	SCALE:	SHEET 1 OF 1
68999	2:1	