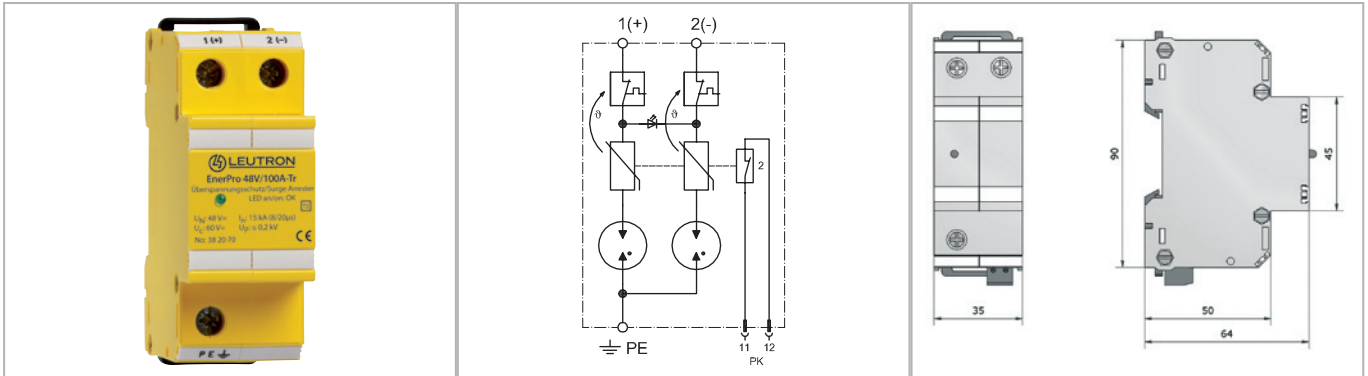


Datasheet

Surge protection for power supply systems

DC Power Supply



Surge voltage protector for equipment power supplies and installations up to 100 A and 48 V AC/DC.

A very low protection level allows the use as SPD class III.

- **High performance surge protector**
- **Valve arrester SPD (leakage-current free)**
- **Function control indication via LED**
- **With potential-free remote signalling contact (PK)**

Technical Data		EnerPro 48V/100A-Tr/Pk
IEC category/EN type		Type 2 / class II
Nominal voltage DC	UN	48 V=
Nominal alternating voltage (50/60Hz)	UN	34 V~
Max. continuous operating voltage DC	Uc	60 V=
Max. continuous operating voltage AC (50/60Hz)	Uc	42 V~
Protection level at 1 kV/μs (1, 2-PE)	Uas	≤ 0,2 kV
Protection level at In (1, 2-PE)	Ures	≤ 0.3 kV
Response time	tA	< 25 ns
Nominal discharge current (8/20)	In	15 kA
Max. impulse discharge current (8/20μs)	I _{max}	30 kA
Max. allowed fuse or back-up fuse		125 A gL/gG
Operating temperature range	TU	-40 - +80 °C
Max. conductor cross section		50mm ² stranded/35mm ² flexible
Recommended conductor cross section		25 mm ²
Max. locking torque for terminals		4,0 Nm
Enclosure material / colour		polycarbonate (halogen-free) UL 94-V0 / yellow
Degree of protection (IEC EN 60529)		IP 20
Mounting on		35 mm DIN rail (DIN EN 60715)
FM contact / contact type		break contact
Switching capacity		250 V/2 A

Order Data

Product	EnerPro 48V/100A-Tr/Pk
Article-No.	38.20.71