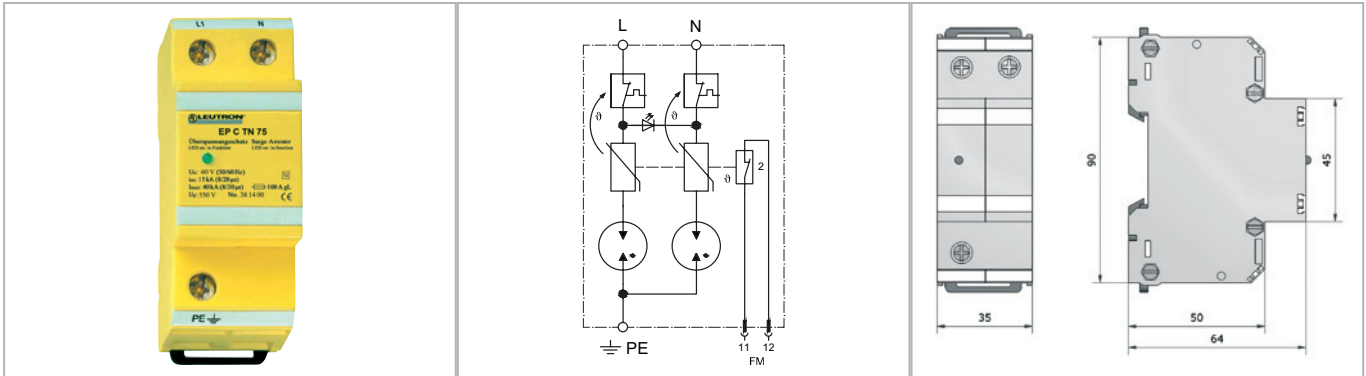


Datasheet

Surge protection for power supply systems

SPD type 2 (class II) for AC power supplies / EnerPro C



Leakage-current free 2-pole surge arrester with LED indicator, e.g. for a TN system up to 75 V AC. Compact and leakage-current free 2-pole surge arrester, e.g. for a 1-phase TN system.

- Monitoring of conductor and arrester
- Optional remote signalling contact (FM)

Technical Data	EP C TN 75	
Nominal alternating voltage (50/60Hz)	UN	60 V~
Max. continuous operating voltage AC (50/60Hz)	Uc	75 V~
Protection level at 5 kA	Up	≤ 0,3 kV
Protection level at In (8/20)	Up	≤ 0,55 kV
Response time	tA	<50 ns
Nominal discharge current (8/20)	In	15 kA
Max. impulse discharge current (8/20μs)	Imax	40 kA
Max. allowed fuse or back-up fuse	IL	125 A gL/gG
Operating temperature range	TU	-40 - +80 °C
Max. conductor cross section		stranded 35/fine stranded 25 mm ²
Recommended conductor cross section		16 mm ²
Max. connection torque for terminals		4,5 Nm
Enclosure material / colour		polycarbonate (halogen-free) UL 94-V0 / yellow
Degree of protection (IEC EN 60529)		IP 20
Mounting on		35 mm DIN rail (DIN EN 50 022)

Order Data	
Product	EP C TN 75
Article-No.	38 14 00