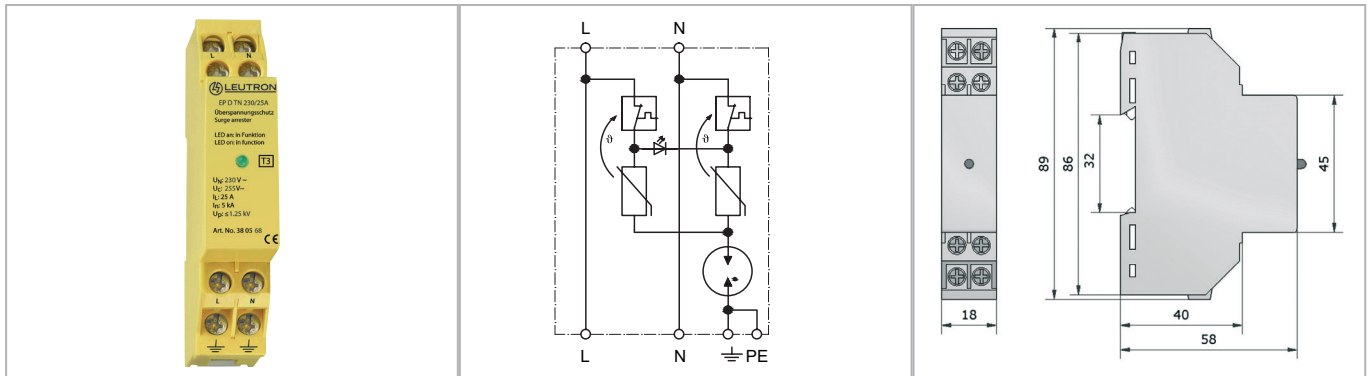


# Datasheet

## Surge protection for power supply systems

### SPD type 3 for AC power supplies / EnerPro D



Compact 2-pole surge arrester for rated voltages of 230 V. and rated load current of 25 Ampere.

- Optional remote signalling contact (FM)
- Practical compact housing with minimum space requirement
- Line function and equipment control by LED/Monitoring of conductor and arrester via LED

| Technical Data                                  |                  | EP D TN 230V/25A   |
|---|------------------|--|
| Nominal alternating voltage (50/60Hz)           | UN               | 230 V~   |
| Max. continuous operating voltage AC (50/60Hz)  | Uc               | 255 V~   |
| Rated load current                              | IL               | 25 A   |
| Protection level L-N                            | Up               | ≤ 1,0 kV   |
| Protection level L/N-PE                         | Up               | ≤ 1,5 kV   |
| Combined surge                                  | Uoc              | 4 kV   |
| Response time L-N/L,N-PE                        |                  | ≤ 25/≤ 100 ns  |
| Nominal impulse discharge current (10 x 8/20μs) | In               | 5 kA   |
| Max. impulse discharge current (8/20μs)         | I <sub>max</sub> | 8 kA   |
| Max. allowed fuse or back-up fuse               |                  | 25 A gL/gG   |
| Operating temperature range                     | TU               | -40 - +80 °C   |
| Min. conductor cross section at terminals       |                  | 2.5 mm <sup>2</sup> single-wire / 1.5 mm <sup>2</sup> flexible with sleeve |
| Max. conductor cross section                    |                  | 2.5 mm <sup>2</sup> flexible / 4 mm <sup>2</sup> solid                     |
| Enclosure material / colour                     |                  | polycarbonate (halogen-free) UL 94-V0 / yellow                             |
| Degree of protection (IEC EN 60529)             |                  | IP 20  |
| Mounting on                                     |                  | 35 mm DIN rail (EN 60715)  |

### Order Data

|             |                  |
|-------------|------------------|
| Product     | EP D TN 230V/25A |
| Article-No. | 38 05 68         |