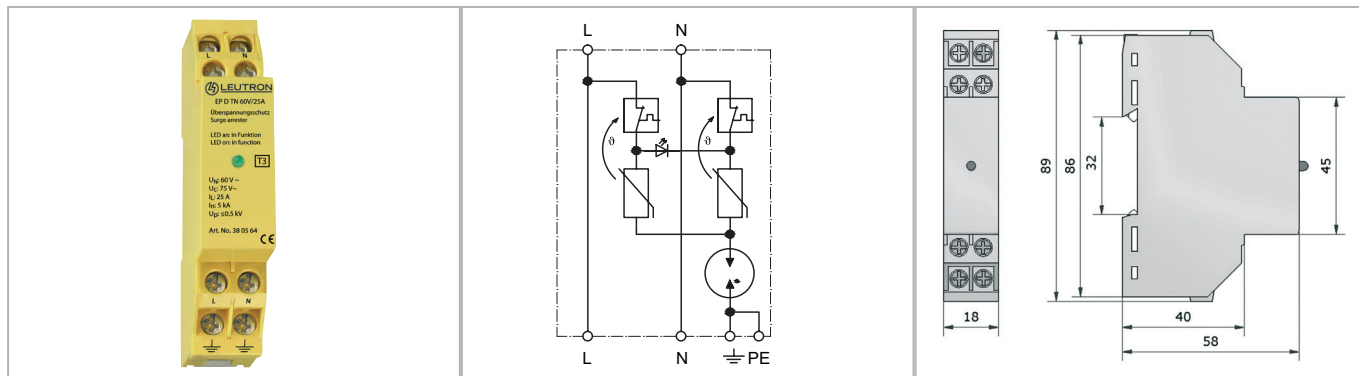


# Datasheet

## Surge protection for power supply systems

### SPD type 3 for AC power supplies / EnerPro D



Compact 2-pole surge arrester for rated voltages of 60 V and rated load current of 25 Ampere.

- Optional remote signalling contact (FM)
- Practical compact housing with minimum space requirement
- Line function and equipment control by LED/Monitoring of conductor and arrester via LED

Technical Data		EP D TN 60V/25A
Nominal alternating voltage (50/60Hz)	UN	60 V~
Max. continuous operating voltage AC (50/60Hz)	Uc	75 V~
Rated load current	IL	25 A
Protection level L-N	Up	≤ 0,5 kV
Protection level L/N-PE	Up	≤ 1,0 kV
Combined surge	Uoc	2 kV
Response time L-N/L,N-PE		≤ 25/≤ 100 ns
Nominal impulse discharge current (10 x 8/20μs)	In	5 kA
Max. impulse discharge current (8/20μs)	I <sub>max</sub>	8 kA
Max. allowed fuse or back-up fuse		25 A gL/gG
Operating temperature range	TU	-40 - +80 °C
Min. conductor cross section at terminals		2.5 mm <sup>2</sup> single-wire / 1.5 mm <sup>2</sup> flexible with sleeve
Max. conductor cross section		2.5 mm <sup>2</sup> flexible / 4 mm <sup>2</sup> solid
Enclosure material / colour		polycarbonate (halogen-free) UL 94-V0 / yellow
Degree of protection (IEC EN 60529)		IP 20
Mounting on		35 mm DIN rail (EN 60715)

Order Data	
Product	EP D TN 60V/25A
Article-No.	38 05 64