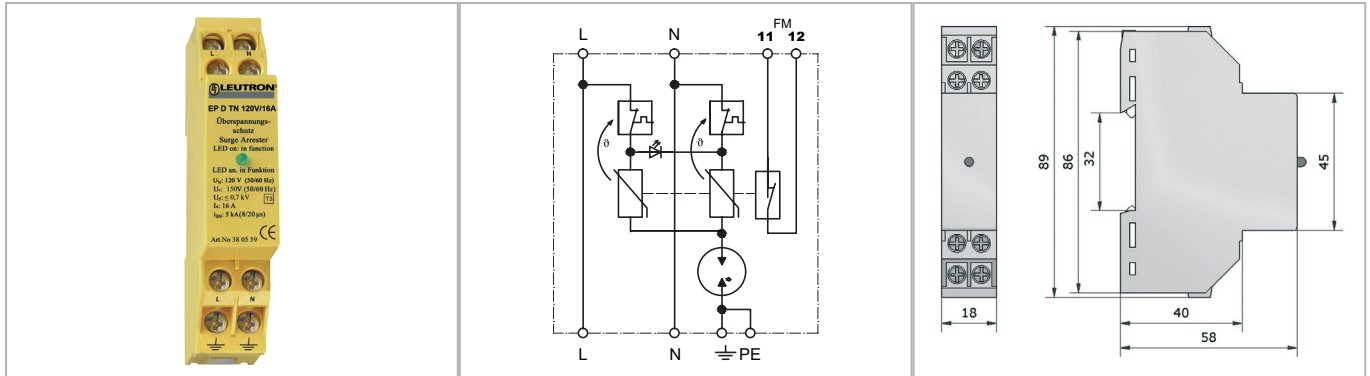


Datasheet

Surge protection for power supply systems

SPD type 3 for AC power supplies / EnerPro D



Compact 2-pole surge arrester for rated voltages of 120 V.

- With remote signalling contact (FM)
- Practical compact housing with minimum space requirement
- Possible with parallel or spur wiring for 16 A
- Line function and equipment control by LED/Monitoring of conductor and arrester via LED

| Technical Data | EP D TN 120V/16A/FM | |
|--|---------------------|--|
| Nominal alternating voltage (50/60Hz) | UN | 120 V~ |
| Max. continuous operating voltage AC (50/60Hz) | Uc | 150 V~ |
| Rated load current | IL | 16 A |
| Protection level L-N | Up | ≤ 0,7 kV |
| Protection level L/N-PE | Up | ≤ 1,0 kV |
| Combined surge | Uoc | 4 kV |
| Response time L-N/L,N-PE | | ≤ 25/≤ 100 ns |
| Nominal impulse discharge current (10 x 8/20μs) | In | 5 kA |
| Max. impulse discharge current (8/20μs) | I _{max} | 8 kA |
| Max. allowed fuse or back-up fuse | | 16 A gL/gG |
| Operating temperature range | TU | -40 - +80 °C |
| Min. conductor cross section at terminals | | 1.5 mm ² single-wire / 1.0 mm ² flexible with sleeve |
| Max. conductor cross section | | 2.5 mm ² single-wire / 1.5 mm ² flexible with sleeve |
| Enclosure material / colour | | polycarbonate (halogen-free) UL 94-V0 / yellow |
| Degree of protection (IEC EN 60529) | | IP 20 |
| Mounting on | | 35 mm DIN rail (EN 60715) |
| FM contact / contact type | | break contact |
| Switching capacity | | 250 V/2 A |
| Max. cross section of the remote signalling line | | 1.5 mm ² solid/flexible |

Order Data

| | |
|-------------|---------------------|
| Product | EP D TN 120V/16A/FM |
| Article-No. | 38 05 60 |