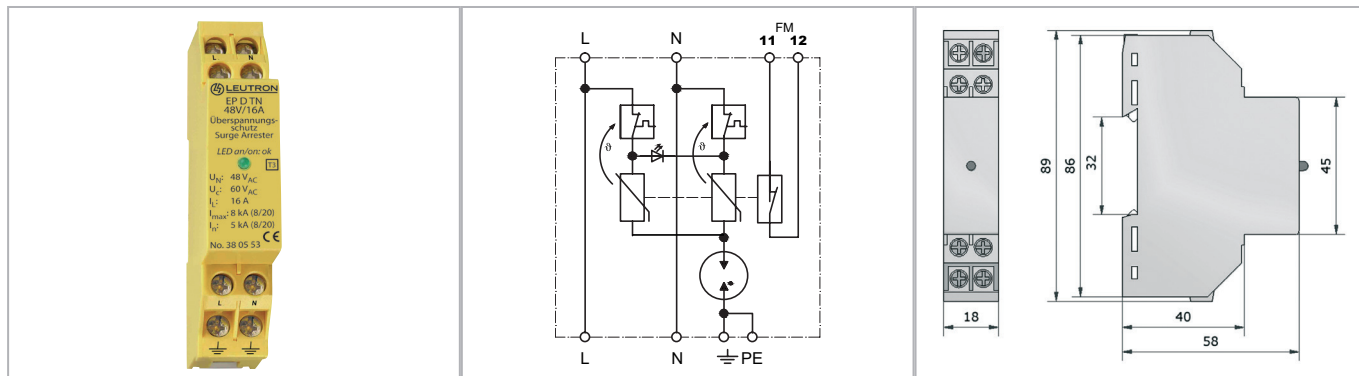


Surge protection for power supply systems

SPD type 3 for AC power supplies / EnerPro D



Compact 2-pole surge arrester for rated voltages of 48 V.

- With remote signalling contact (FM)
- Practical compact housing with minimum space requirement
- Possible with parallel or spur wiring for 16 A
- Line function and equipment control by LED/Monitoring of conductor and arrester via LED

Technical Data	EP D TN 48V/16A/FM	
Nominal alternating voltage (50/60Hz)	UN	48 V~
Max. continuous operating voltage AC (50/60Hz)	Uc	60 V~
Rated load current	IL	16 A
Protection level L-N	Up	≤ 0,35 kV
Protection level L/N-PE	Up	≤ 1,0 kV
Response time L-N/L,N-PE		≤ 25/≤ 100 ns
Nominal impulse discharge current (10 x 8/20μs)	In	5 kA
Max. impulse discharge current (8/20μs)	I _{max}	8 kA
Max. allowed fuse or back-up fuse		16 A gL/gG
Operating temperature range	TU	-40 - +80 °C
Min. conductor cross section at terminals		1,5 eindrätzig / 1,0 flexibel mit Aderendhülse
Max. conductor cross section		2,5 mm ² single-wire / 1,5 mm ² flexible with sleeve
Enclosure material / colour		polycarbonate (halogen-free) UL 94-V0 / yellow
Degree of protection (IEC EN 60529)		IP 20
Mounting on		35 mm DIN rail (EN 60715)
FM contact / contact type		break contact
Switching capacity		250 V/2 A
Max. cross section of the remote signalling line		1,5 mm ² solid/flexible

Order Data	
Product	EP D TN 48V/16A/FM
Article-No.	38 05 54