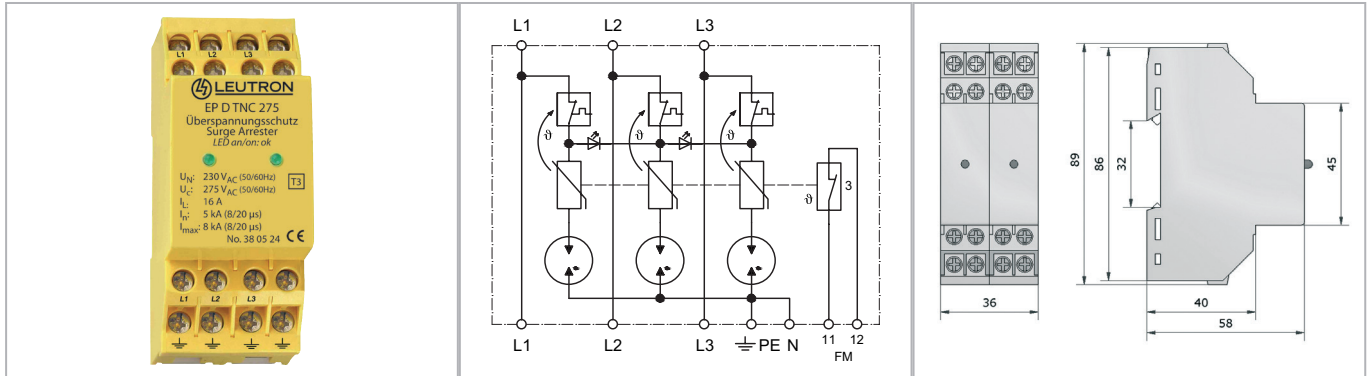


Datasheet

Surge protection of power supply

SPD type 3 for AC power supplies



Compact 3-pole surge arrester, e.g. for 3-phase TN-C systems. The SPD is applicable at the transition 2-3 according to the lightning protection zones concept.

- Line function and equipment control by LED
- leakage current free
- Possible with parallel or spur wiring for 16 A
- Remote signalling contact: break contact
- Deepest protection against longitudinal and transverse voltages for loads up to 16 A
- With remote signalling contact (FM)

Technical Data		EP D TNC 275/FM
IEC category		Type 3 / class III
Nominal voltage AC	UN	230 V~
Max. continuous operating voltage AC (50/60Hz)	Uc	275 V~
Rated load current	IL	16 A
Protection level L-N	Up	≤ 1,0 kV
Protection level L/N-PE	Up	≤ 1,5 kV
Combined surge	Uoc	≤ 4 kV
Nominal discharge current (8/20)	In	5 kA
Max. impulse discharge current (8/20)	I _{max}	8 kA
Response time L-N/L,N-PE		≤ 25/≤ 50 ns
Max. allowed fuse or back-up fuse		16 A gL/gG
Operating temperature range	TU	-40 - +80 °C
Max. conductor cross section		2x 2,5 mm ² solid / 2x 1,5 mm ² stranded
Enclosure material / colour		polycarbonate (halogen-free) UL 94-V0 / yellow
Degree of protection (IEC EN 60529)		IP 20
Mounting on		35 mm DIN rail (DIN EN 60715)
FM contact / contact type		break contact
Switching capacity		250 V/2 A
Max. conductor cross section FM		1,5 mm ²
Max. locking torque FM terminals		1,5 Nm

Order Data

Product	EP D TNC 275/FM
Article-No.	38 05 25