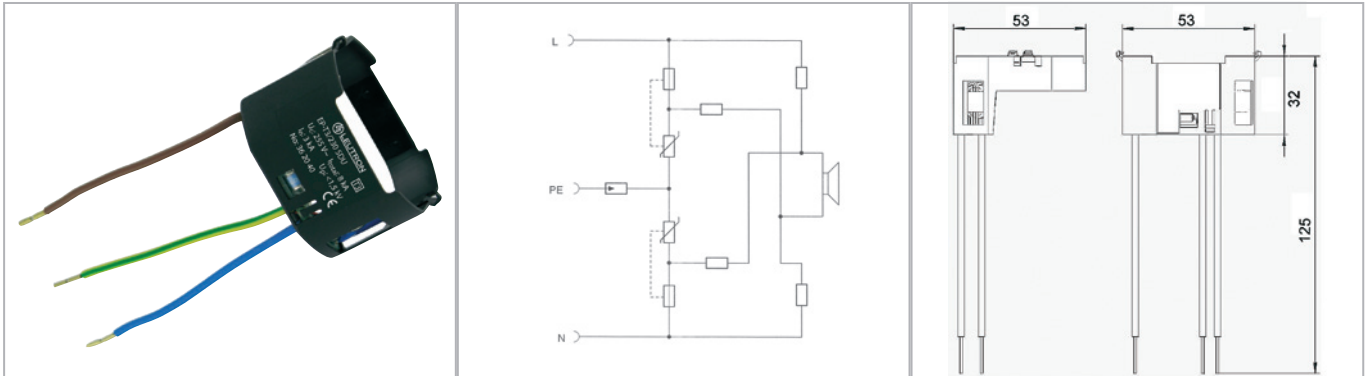


Datasheet

Surge protection for power supply systems

SPD type 3 for AC power supplies



Two-pole surge arrester for the protection of electrical devices, for the retrofitting of 220 V flush-mounted boxes.

- Applicable at the boundaries LPZ 1 - 2 and higher
- Test standard: IEC 61643-1 / EN 61643-11
- Acoustic failure signal
- Valve arrester SPD (leakage-current free)

Technical Data		EP-T3/230 SDU
IEC category/EN type		Type 3 / class III
Max. continuous operating voltage AC (50/60Hz)	Uc	255 V~
Nominal alternating voltage (50/60Hz)	UN	230 V~
Combined surge	Uoc	6 kV
Protection level L-N	Up	≤ 1,3 kV
Protection level L/N-PE	Up	≤ 1,5 kV
Max. allowed prefuse		16 A gL/gG
Response time L-N/L,N-PE		≤ 25 / ≤ 100 ns
Nominal discharge current (8/20)	In	3 kA
Max. impulse discharge current (8/20μs)	Imax	8 kA
Operating temperature range	TU	-20 - +60 °C
Type of connection		3 lines
Mounting type		installation in 230V flush sockets
Degree of protection (IEC EN 60529)		IP 21

Order Data	
Product	EP-T3/230 SDU
Article-No.	36 20 40