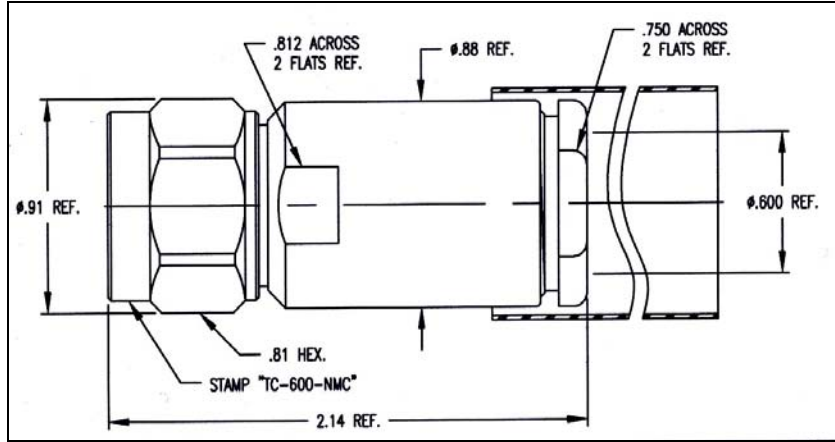


THE REVISION STATUS OF ALL SHEETS OF THIS DRAWING IS THE SAME AS SHEET 1

LTR	DESCRIPTION	DATE	BY
-	Released	11/6/01	JCL



I. MATERIALS & FINISHES

- center contact: Gold Plated Brass
- outer contact: Silver Plated Brass
- coupling nut: Silver Plated Brass
- body: Silver Plated Brass
- backnut: Silver Plated Copper
- dielectric: Teflon® PTFE
- gaskets: Nitrile Rubber
- attachment: braid clamp

II. ELECTRICAL PROPERTIES

- impedance: 50 ohms
- working voltage: 1000 vrms (max)
- vswr: 1.20:1 (max) up to 2.5 GHz
- insertion loss: 0.10 x √Fghz

Unless otherwise specified, dimensions are in inches. Tolerances are applicable when specified.

These drawings and specifications contain proprietary information which is the property of Times Microwave Systems.

Approvals		
Drawn	JCL	11/6/01



TIMES MICROWAVE SYSTEMS

Wallingford, CT 06492
 (203) 949-8400; (203) 949-8423.Fax
 www.timesmicrowave.com

TC-600-NMC

Type-N male (plug) – Solder Pin
 for LMR-600 Cable

Size A	CAGE CODE 68999	Drawing No.: 3190-357
Scale: NA	Rev. (-)	Sheet: 1 of 1