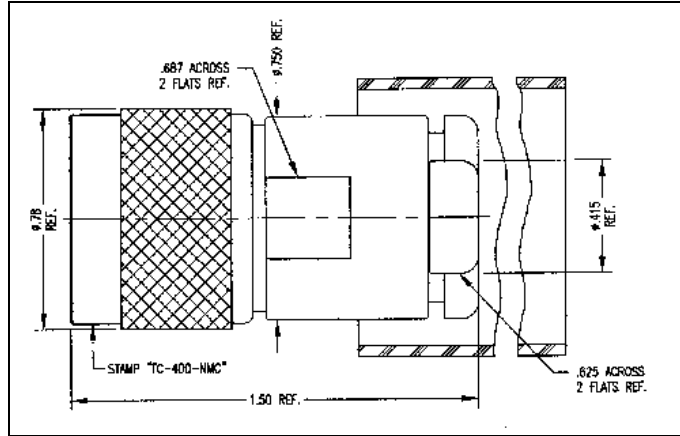


THE REVISION STATUS OF ALL SHEETS OF THIS DRAWING IS THE SAME AS SHEET 1

LTR	DESCRIPTION	DATE	BY
-	Released	11/1/94	JP



I. MATERIALS & FINISHES

- center contact: Gold (30u" min) Plated Brass
- outer contact: Nickel (200u" min) Plated Brass
- body: Nickel (200u" min) Plated Brass
- coupling nut: Nickel (200u" min) Plated Brass
- crimp sleeve: Nickel Plated Copper
- dielectric: Teflon® PTFE
- gasket: Silicone Rubber
- shrink sleeve: Adhesive Lined Polyolefin
- braid attachment: clamp

II. ELECTRICAL PROPERTIES

- impedance: 50 ohms
- working voltage: 1000 vrms (max)
- vswr: 1.25:1 (max) up to 3GHz
- insertion loss: 0.1 x √Fghz

Unless otherwise specified, dimensions are in inches. Tolerances are applicable when specified.

These drawings and specifications contain proprietary information which is the property of Times Microwave Systems.

Approvals		
Drawn	JCL	11/1/94
Check		
Prj. Mgr.		
Prd. Mgr.		
QA Mgr.		



TIMES MICROWAVE SYSTEMS

Wallingford, CT 06492
 (203) 949-8400; (203) 949-8423.Fax
 www.timesmicrowave.com

TC-400-NMC

Type N Male (plug)
 for LMR-400 Cable Type(s)

Size A	CAGE CODE 68999	Drawing No.: 3190-277
Scale: NA	Rev. (-)	Sheet: 1 of 1